

Warewashing
Warewashing Undercounter for
600x400mm trays, double skin,
atmospheric boiler, water softener, 30bas

ITEM # _____

MODEL # _____

NAME # _____

SIS # _____

AIA # _____


402314 (EXLIWG)

Undercounter Dishwasher for 600x400 mm trays, with double skin, atmospheric boiler, drain pump, detergent dispenser and water softener, capacity per hour of 30 baskets or 540 dishes or 120 trays

Short Form Specification

Item No. _____

Unit shall be undercounter dishwasher type hot water rinsing using rack dimension of 500*500mm or 500*600mm with Atmospheric boiler. Electrical characteristics to be 400 volts three phase 50Hz operation, convertible to single phase on-site. Washing performance is ensure by a powerful wash pump, large capacity wash tank, upper and lower revolving spray arms. Constant rinse temperature and pressure guaranteed by built-in atmospheric boiler and rinse booster pump. The unit designed to wash 600x400mm trays and allows the use of standard 500*500mm racks. Four automatic cycles for different types of wares. Water softener to ensure complete and automatic regeneration of rinse water without pressure drop. Double skin insulated, counter-balance door. Double skin cabinet. Pressed wash tank with round corners. 304 AISI stainless steel construction to include door, external panels, frame, wash tank, tank filters, wash arms and rinse arms. Electronic control with temperature display. Automatic self-cleaning cycle. The unit shall include drain pump and rinse aid dispenser pump and is equipped with electric cable.

Main Features

- Built-in rinse aid and detergent dispenser with automatic initial and continuous cycle loading for perfect result while minimizing service and maintenance needs.
- Double skinned insulated wall ensures a low noise level and a reduction in heat loss from the machine.
- Low noise level.
- Three phase or single phase electrical connection, convertible on-site.
- Washing system endowed with rotating washing arms, high powered wash pump and large capacity boiler for professional washing.
- Easy to remove wash/rinse arms for cleaning.
- Simple service from the front.
- Built-in atmospheric boiler with rinse booster pump to provide constant water temperature and pressure for rinsing, independent from water inlet.
- A pause of a few seconds after washing and before rinsing ensures that no drops of unclean water will fall on the clean items at the end of the rinsing cycle.
- Large washing chamber is suitable for both 500x500 mm standard baskets and 600x500 mm baskets to wash 600x400 mm trays.
- Electronic control panel with temperature display to easily operate and monitor machine status.
- Equipped with drain pump for easy and quick installation without opening the machine.
- Equipped with water softener to ensure optimal rinsing results.
- Built-in atmospheric boiler sized to raise incoming water to 84 °C minimum for sanitizing rinse. No external booster is required.
- Washing capacity of 30 baskets per hour.

Construction

- Large deep drawn wash tank and internal wash area with round corners and no pipes to avoid dirt built-up.
- Unit to feature smooth surfaces to facilitate cleaning.
- Completely closed on the back by a cover plate.
- Unit to feature rinse aid and detergent dispenser pumps.
- Large tank filter collects the soil to keep the wash water clean for a longer time and have better washing performance.
- Front panel, door, wash tank, tank filters, wash arms and rinse arms made in heavy duty anti-corrosive 304 AISI stainless steel.

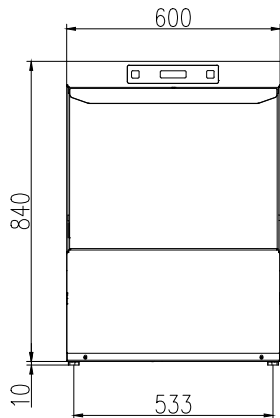
Sustainability

- Insulated double skin door construction preserves heat inside the tank to lower energy consumption and the noise. Counter-balance mechanism minimizes impact when opening and closing.

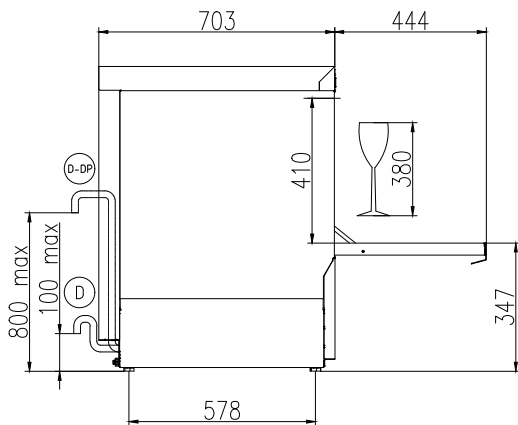
Included Accessories

APPROVAL: _____

Front



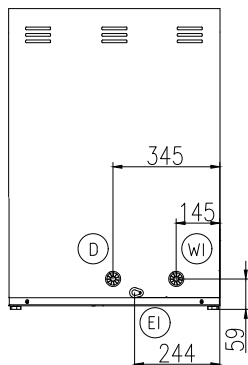
Side



CWII = Cold Water inlet 1
 (cleaning)
 D = Drain
 EI = Electrical inlet (power)
 EO = Electrical Outlet
 HWI = Hot water inlet
 WI = Water inlet

XD = Detergent connection
 XR = Rinse aid connection

Rear side



Electric

Supply voltage:	
402314 (EXLIWG)	380-415 V/3N ph/50 Hz
Default Installed Power:	6.65 kW
Boiler heating elements:	6 kW
Tank heating elements:	2.4 kW
Wash pump size:	0.68 kW

Water:

Pressure, bar min/max:	1-6 bar
Drain line size:	29mm
Inlet Water supply pressure:	15 - 87 psi (1 - 6 bar)
Washing tank capacity (lt):	22
Boiler Capacity (lt):	5.5

Key Information:

Baskets per hour*:	30
Dishes per hour:	540
Working cycles time (sec.):	120/180/360/540
Wash temperature:	55-65°C
Cell dimensions - width:	500 mm
Cell dimensions - depth:	600 mm
Cell dimensions - height:	410 mm
Rinse temperature:	85 °C
External dimensions, Width:	600 mm
External dimensions, Depth:	703 mm
External dimensions, Height:	850 mm
Packaging size (WxDxH):	700x790x1000 mm

Sustainability

Water supply temperature*:	10-50 °C
Water consumption per cycle (lt):	2.2
Noise level:	61,3 dBA